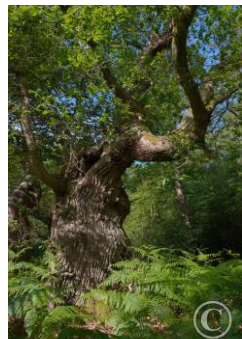






What should I already know?

- To respect the set boundaries.
- The Spinney is a habitat for animals, mini-beasts and plants
- How to use a peeler safely.
- Ingredients for fire are fuel, oxygen and heat spark.

Our theme will be Trees



Key Vocabulary and definitions

Spinney	A small wood with undergrowth.		
evergreen	A tree which does not lose its leaves in Autumn.		
deciduous	A tree which loses its leaves in Autumn and regrows them in Spring.		
observation	To pay close attention to things and spot as much as you can.		
seasonal	Linked to the seasons of the year: Summer, Autumn, Spring and Winter		
respect	Acting in ways to show care for others		
responsible	Acting to do something you are expected to do.		
collaborative	To work together with others to do a task.		
oak	elder	hazel	yew
			
Tall trees for shipbuilding	Fast growing wood	Hairy Hazel leaves	Poisonous berries

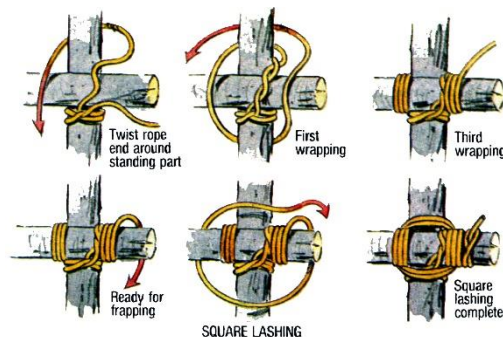
We will learn the names and observe properties of some of the trees.

We will use tools (loppers, secateurs, peeler) to create things out of wood.

We will improve our self-confidence as we try new things.

We will develop trust and responsibility through games and activities.

We will cook toast on a fire.



Square Lashing – this is used to tie two sticks together at a right-angle.